

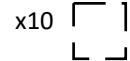
B-EDGE2 - L



B-EDGE2 - P



K 8x32mm



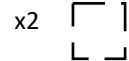
MT1



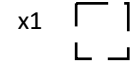
M1



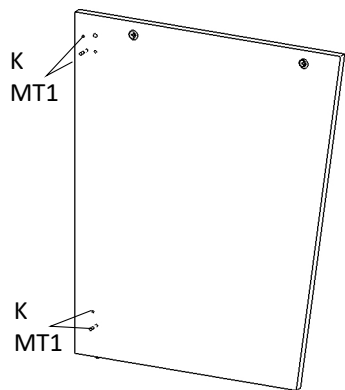
i5 - 5cm



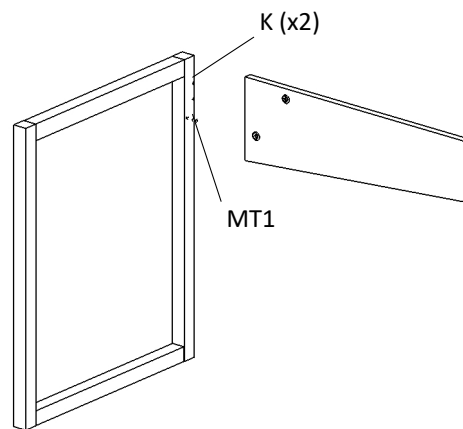
KLI4



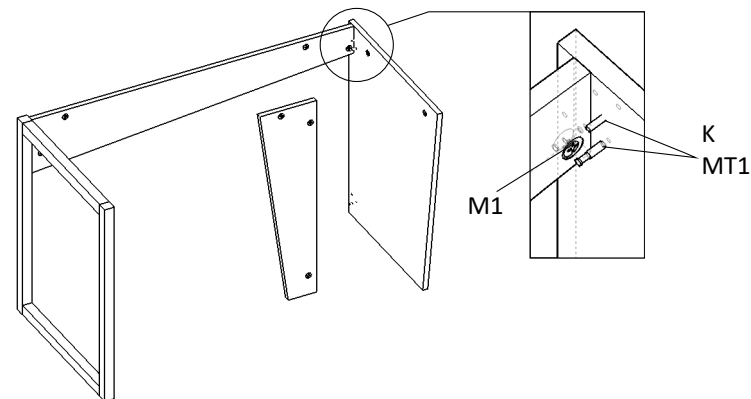
1.



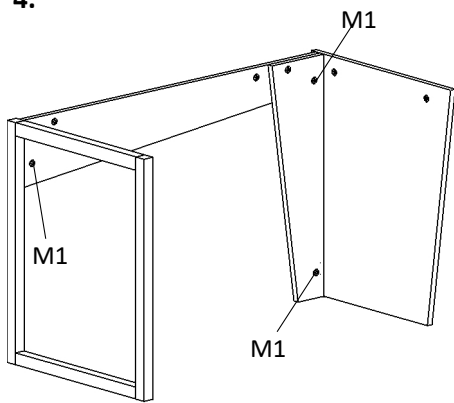
2.



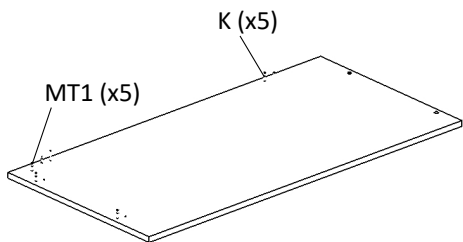
3.



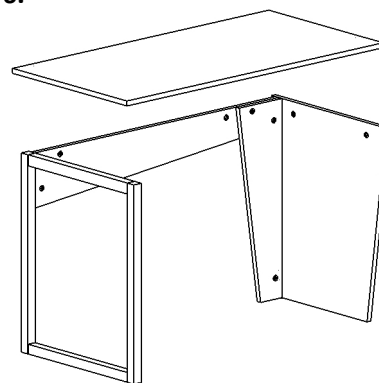
4.



5.



6.



7.

